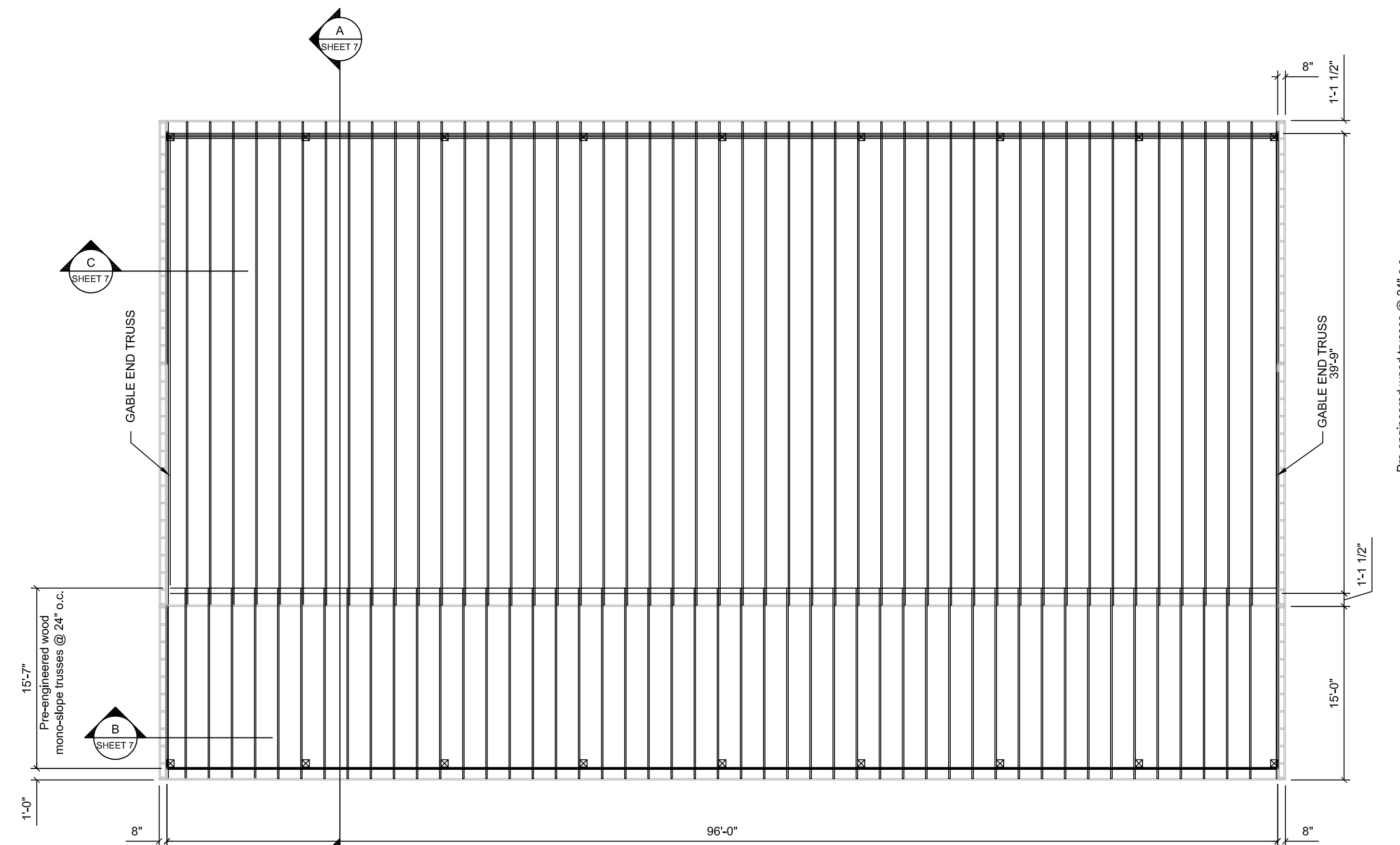
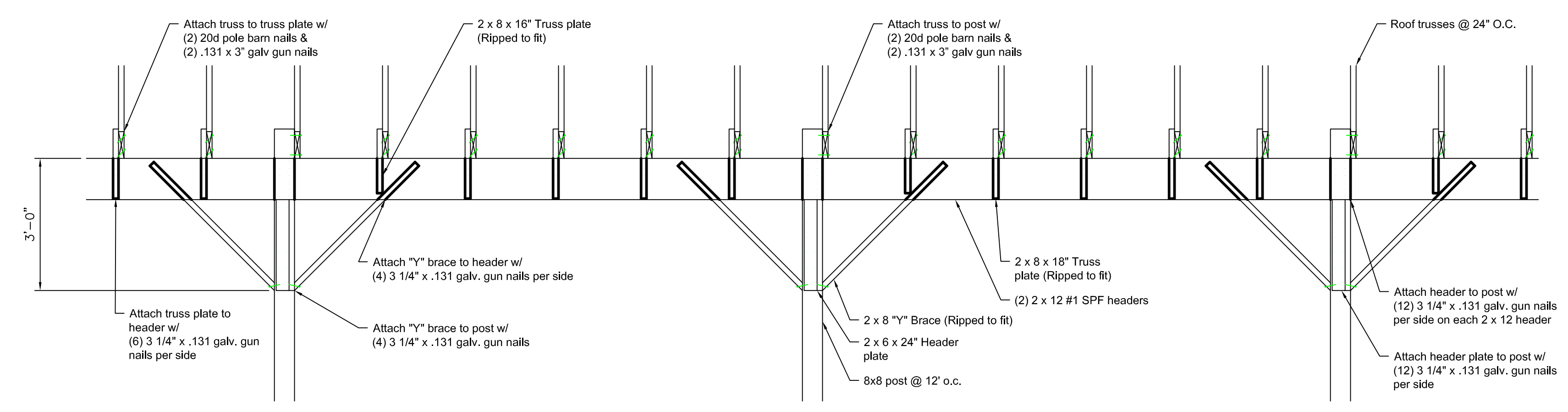


**LOFT FLOOR LAYOUT PLAN**  
Scale: 1/8" = 1'-0"



**ROOF FRAMING PLAN**  
Scale: 1/8" = 1'-0"



**LOWER LEVEL "Y" BRACE DETAIL @ 12' SPAN**  
Scale: 1/2" = 1'-0"

**SECTIONS**  
FOR  
**BROOK FARM BARN**  
TOWN OF NEW PALTZ  
ULSTER COUNTY ~ NEW YORK

AUGUST 25, 2015

**MEDENBACH & EGGERS**  
CIVIL ENGINEERING & LAND SURVEYING, P.C.  
STONE RIDGE, NEW YORK (845) 687-0047

---

BARRY MEDENBACH, P.E.  
NEW YORK LIC. NO. 60142

SHEET 6 OF 7

8/26/2015 3:25:08 PM

E15\_054 Glynwood 2015 08.dwg